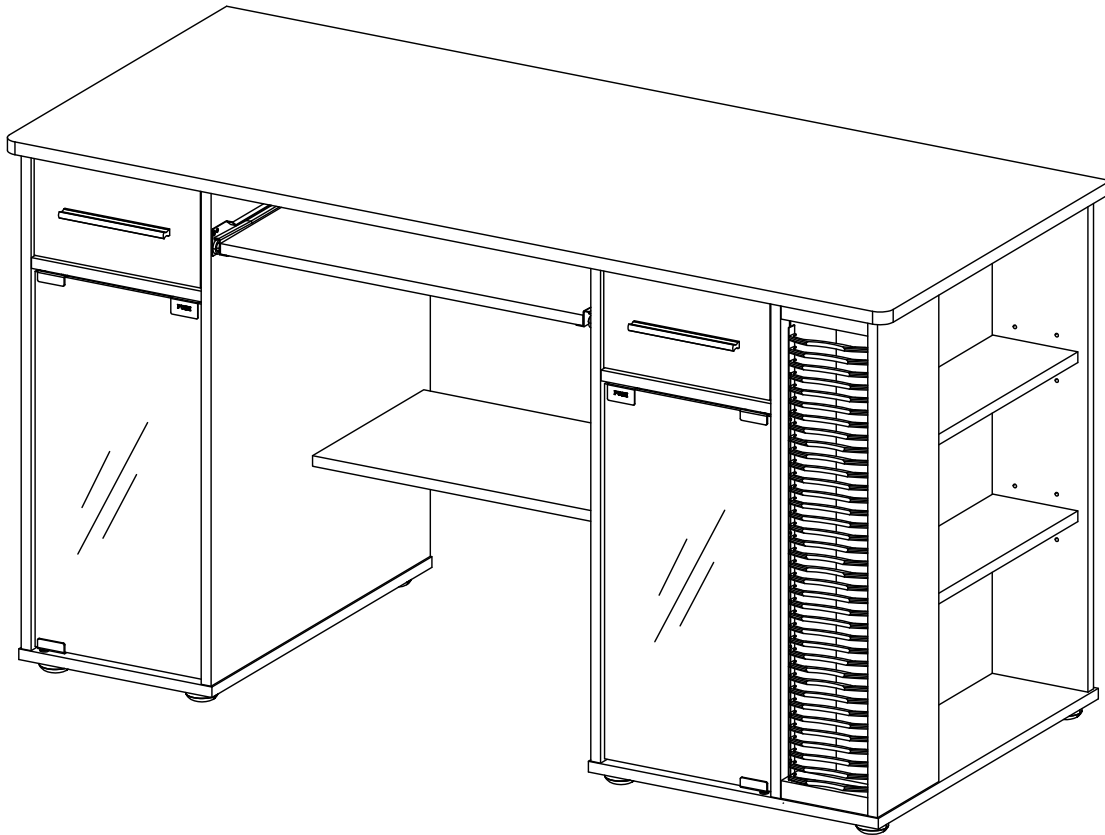


alphason

AW12007



REFERENCE NO:

POR000000

Please retain this booklet as you will be asked to quote this number for any warranty or product related queries

Issue: 00/00/00

PLEASE INSPECT ALL PARTS PRIOR TO ASSEMBLY AND CONTACT US IF ANY OF THE PARTS ARE DAMAGED OR MISSING. THIS MUST BE DONE BEFORE ATTEMPTING ASSEMBLY.



Need help or advice? Missing/damaged parts?
Contact us directly on:

Helpline ☎ **0845 130 6686**

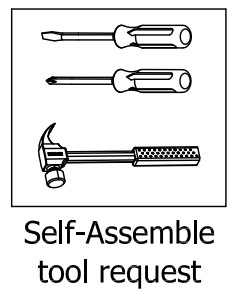
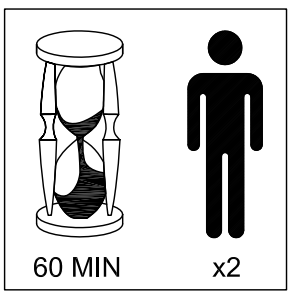
International Helpline (English Speaking): +44 1942 524 100



Interested in more Alphason products? Visit our website at:
www.alphasondesigns.com



Have a question? Want more information? Email us on?
customer.services@armourhome.co.uk



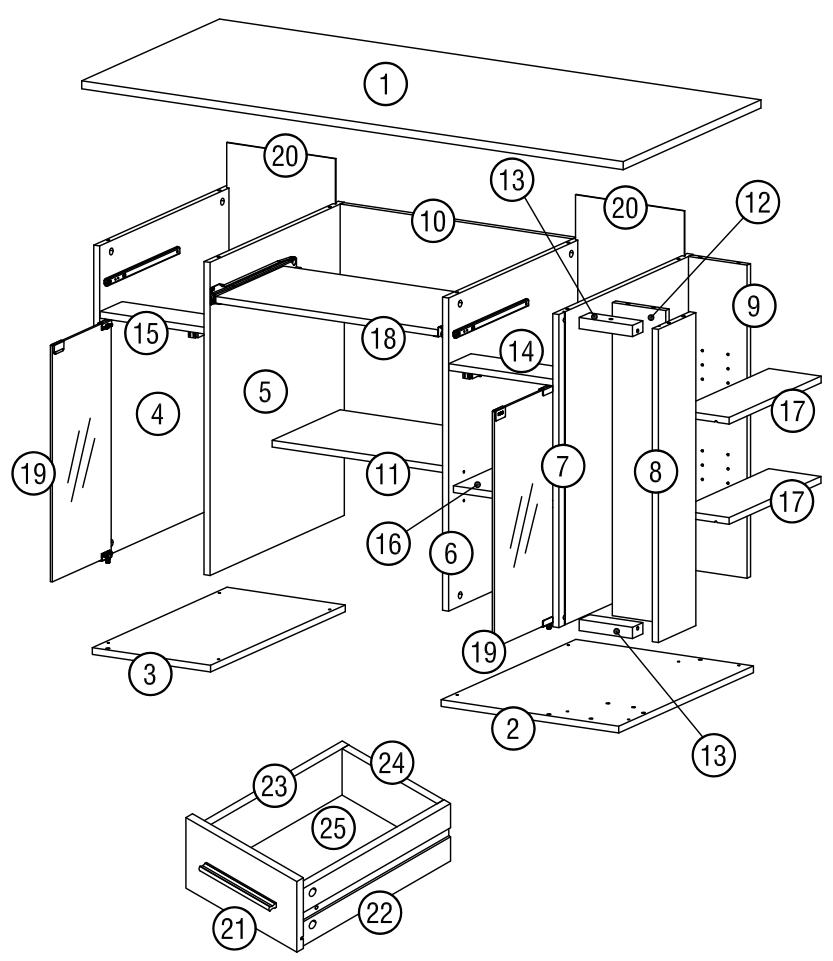
Instructions/Instrucciones/Mode d'emploi

- Do not tighten bolts completely until desk is fully assembled
- Por favor no apretar los tornillos hasta que haya ensamblado
- el escritorio completamente

PARTS LIST

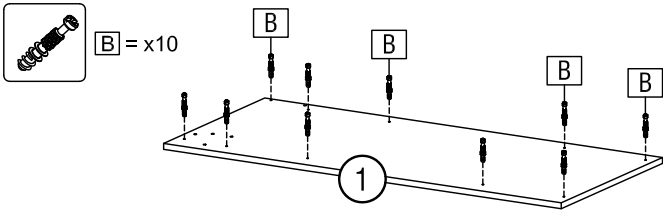
| | |
|----|----|
| 1 | x1 |
| 2 | x1 |
| 3 | x1 |
| 4 | x1 |
| 5 | x1 |
| 6 | x1 |
| 7 | x1 |
| 8 | x1 |
| 9 | x1 |
| 10 | x1 |
| 11 | x1 |
| 12 | x1 |
| 13 | x2 |
| 14 | x1 |
| 15 | x1 |
| 16 | x1 |

| | |
|----|----|
| 17 | x1 |
| 18 | x1 |
| 19 | x2 |
| 20 | x2 |
| 21 | x2 |
| 22 | x2 |
| 23 | x2 |
| 24 | x2 |
| 25 | x2 |

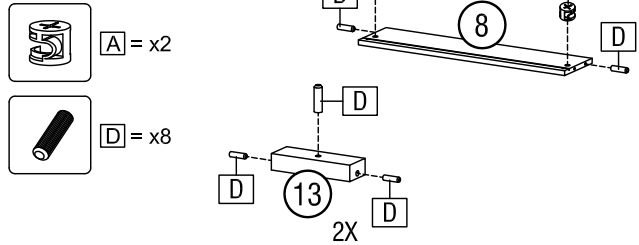


| | | | | | | |
|------------------------------|---------------------|-----------------------|-----------------------|------------------------------|------------------------------|------------------------------|
| A x44 | B x44 | C x44 | D x30 | E x2 | F 6 X 13 mm x8 | G x8 |
| H 4 x 22 mm x4 | I x2 | J x8 | K 2 set | L 4 x 12 mm x4 | M 1 set | N 6 X 25 mm x8 |
| O x12 | P x2 | Q 2 set | R x4 | | | |

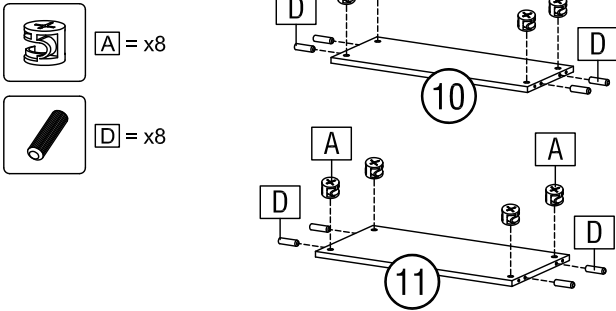
Step 1



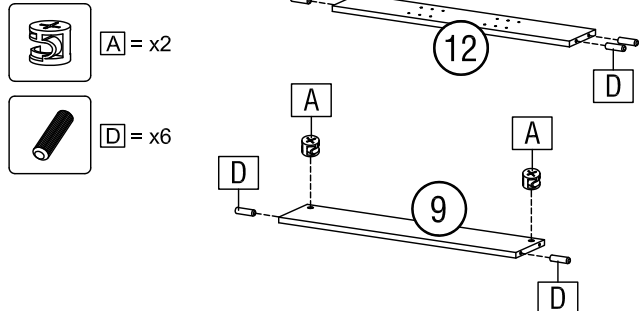
Step 2



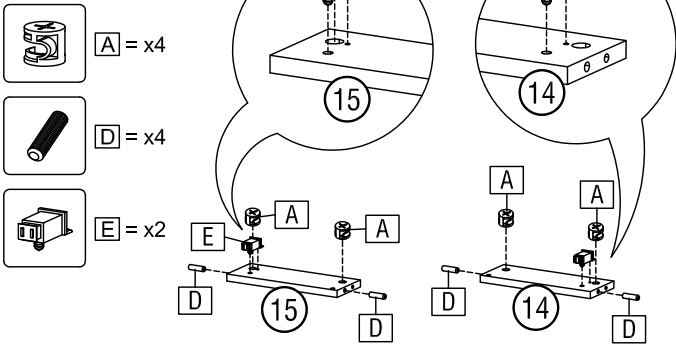
Step 3



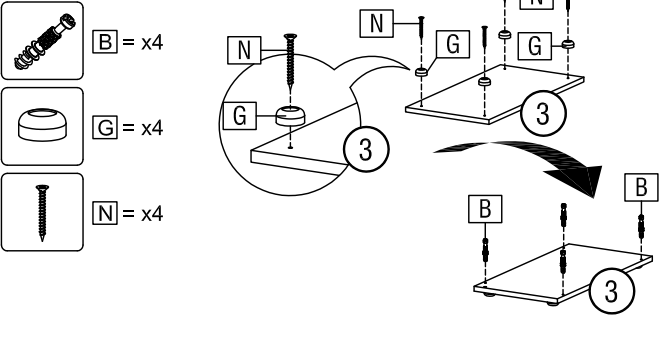
Step 4



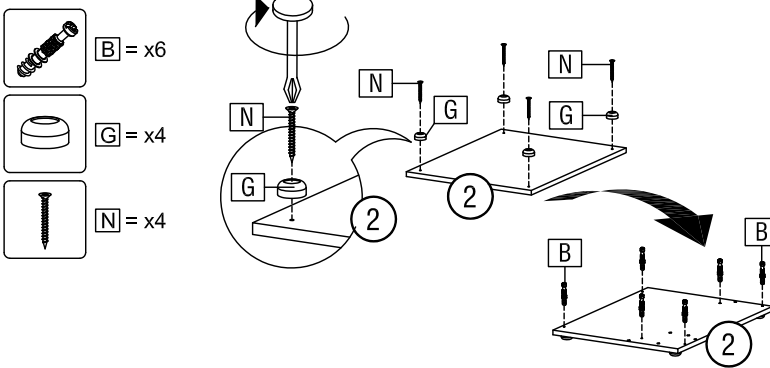
Step 5



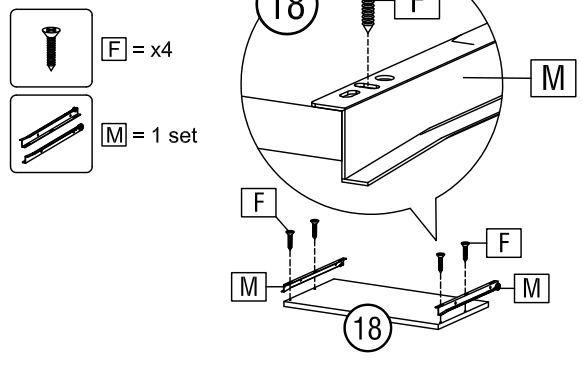
Step 6



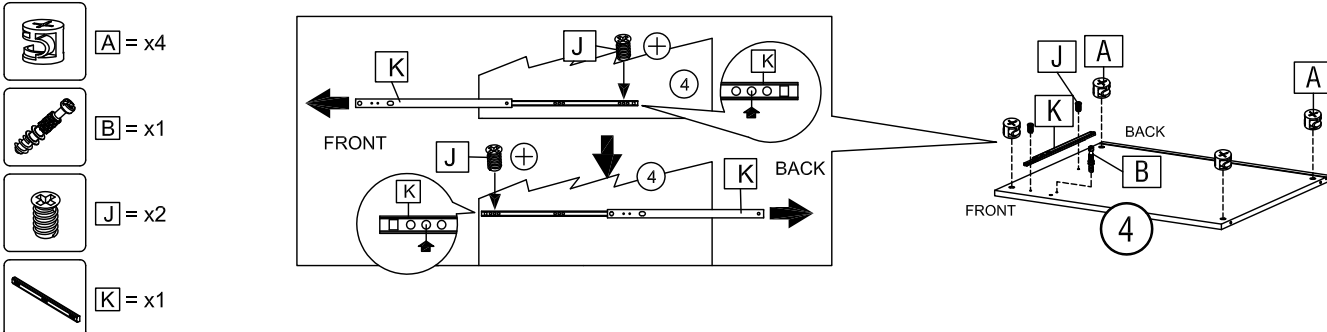
Step 7







Step 8

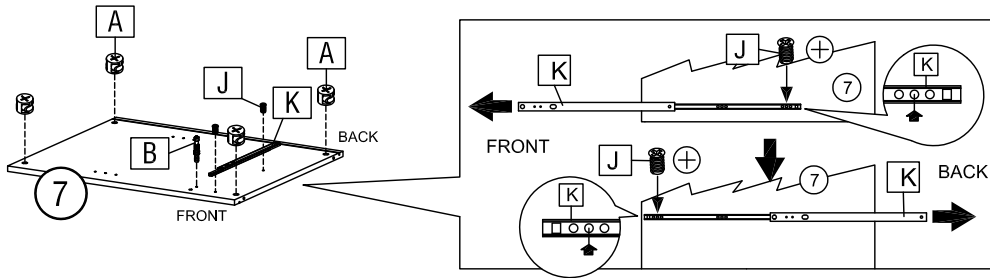


Step 9









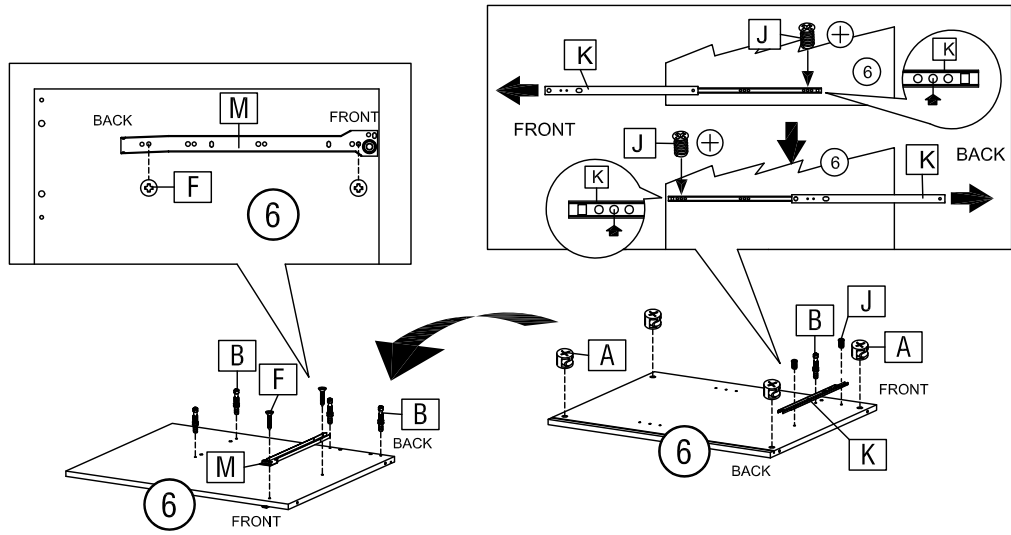
Step 10

-  A = x4
-  B = x1
-  J = x2
-  K = x1









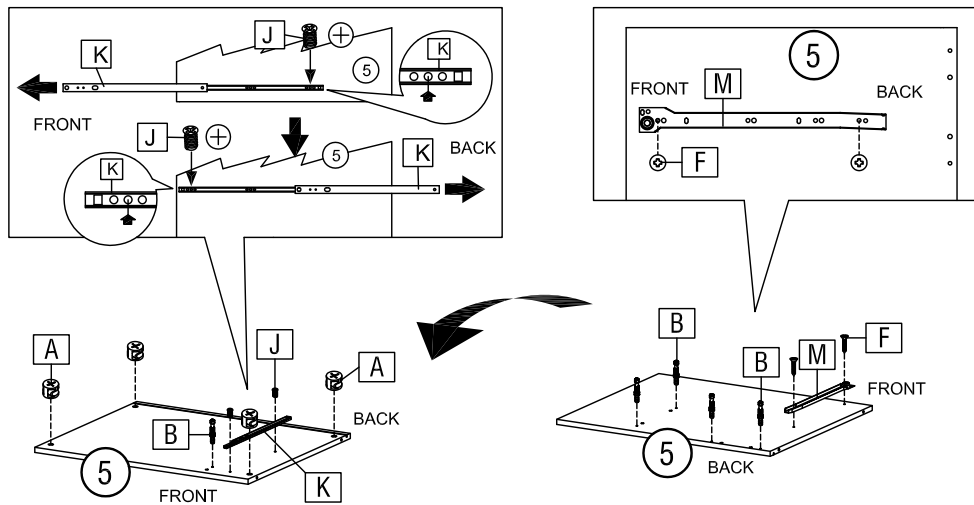
Step 11

-  A = x4
-  B = x5
-  F = x2
-  J = x2
-  K = x1
-  M = x1








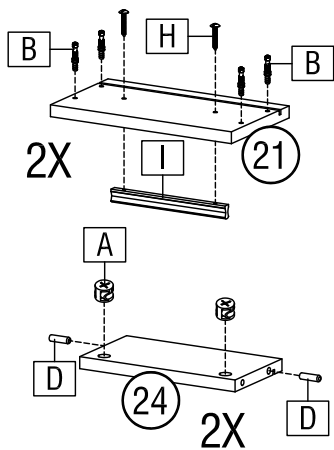
Step 12

-  A = x4
-  B = x5
-  F = x2
-  J = x2
-  K = x1
-  M = x1





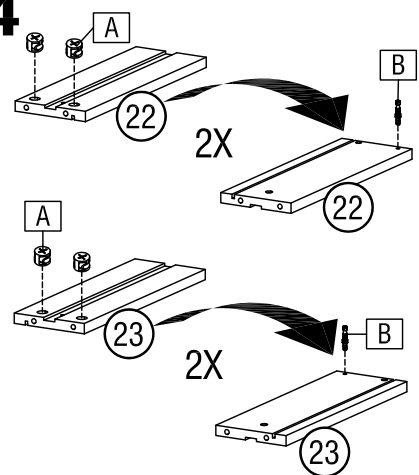
Step 13

-  A = x4
-  B = x8
-  D = x4
-  H = x4
-  I = x2




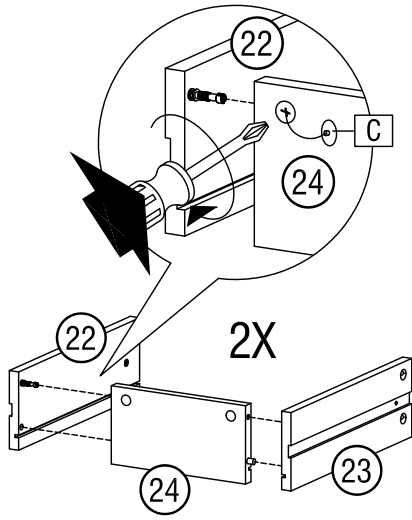
Step 14

-  A = x8
-  B = x4




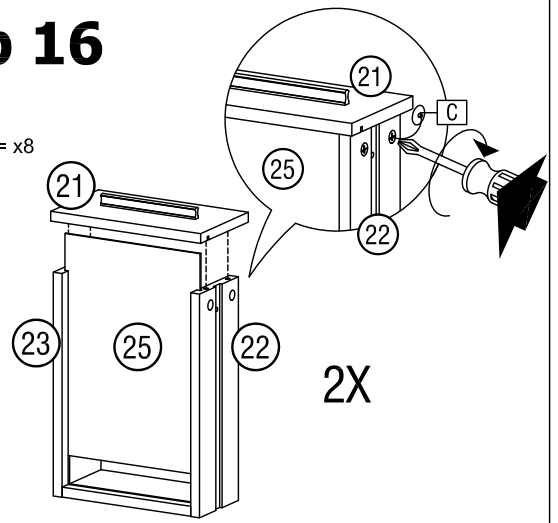
Step 15

 C = x4

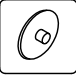


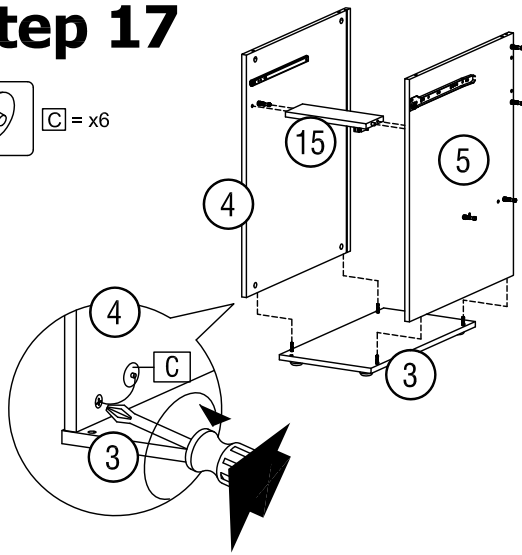
Step 16

 C = x8




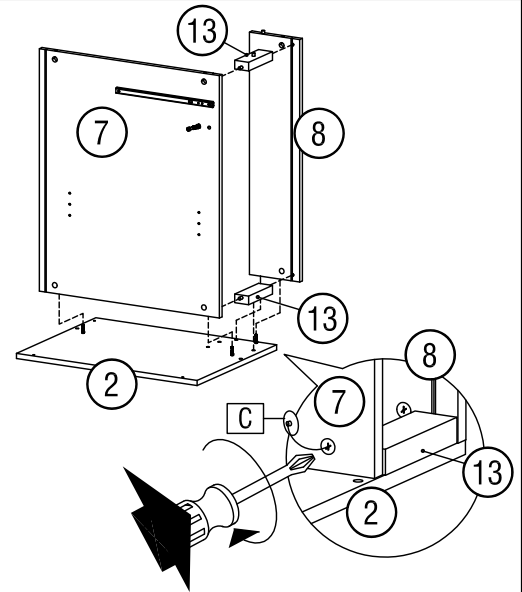
Step 17

 C = x6




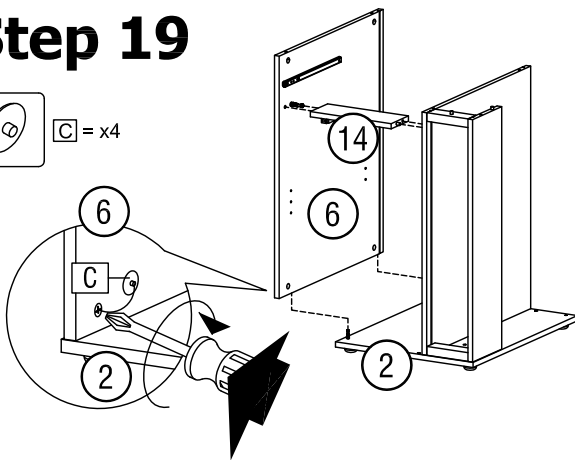
Step 18

 C = x3




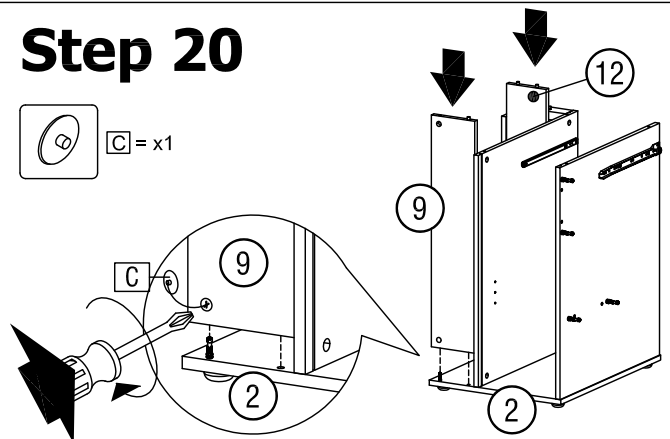
Step 19

 C = x4

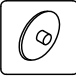


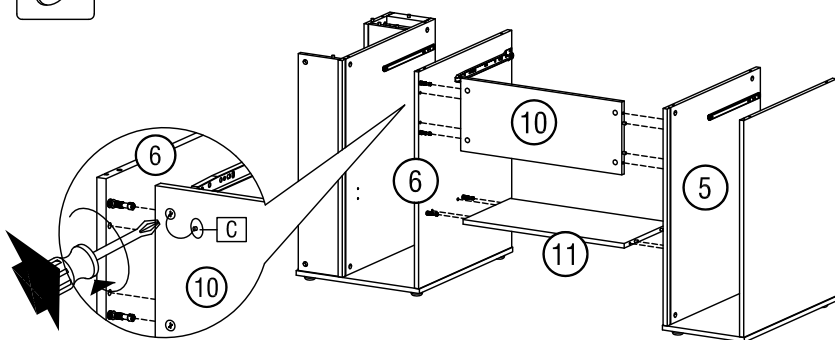
Step 20

 C = x1

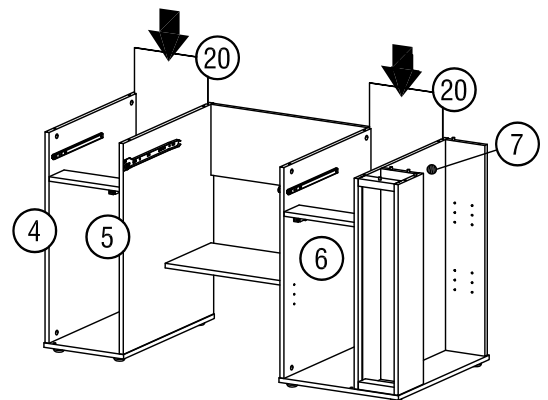


Step 21

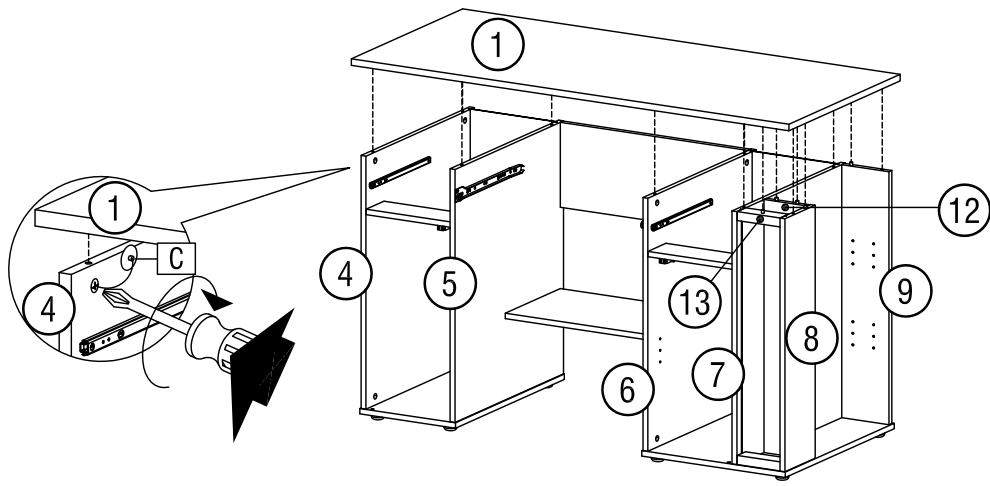
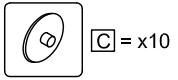
 C = x8



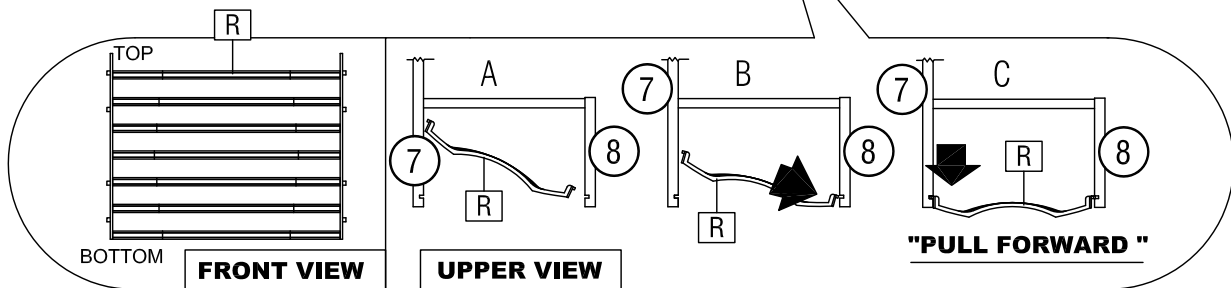
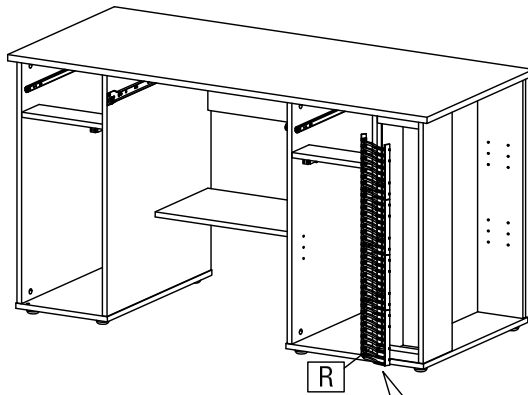
Step 22



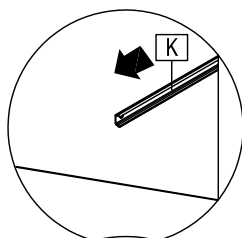
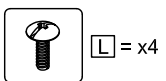
Step 23



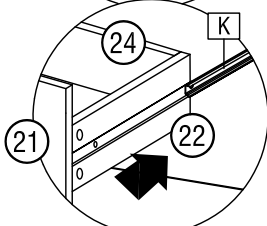
Step 24



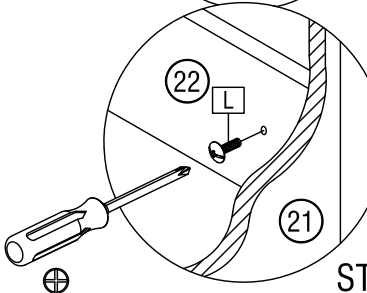
Step 25



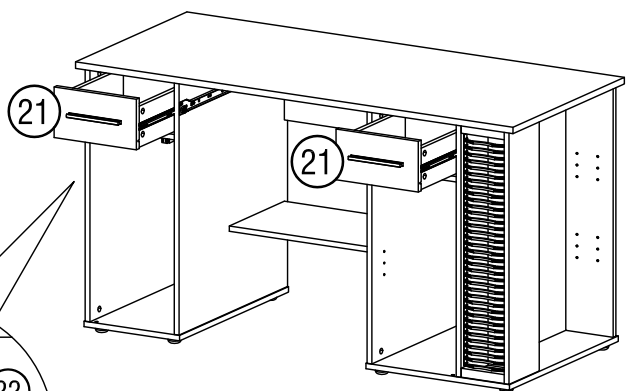
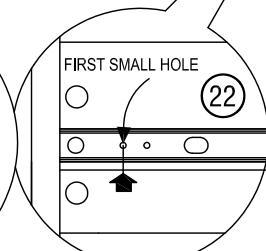
STEP 1



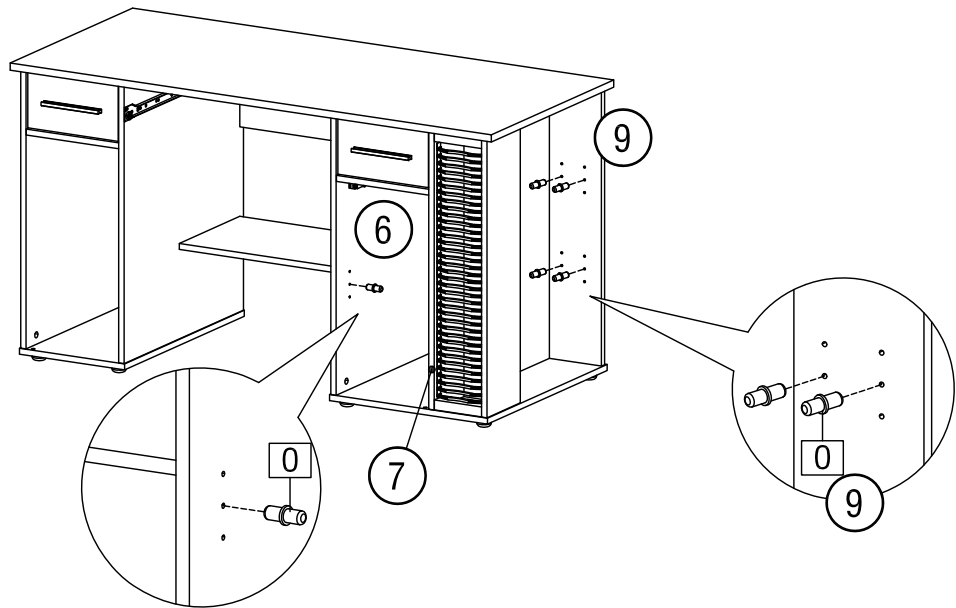
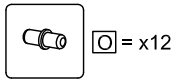
STEP 2



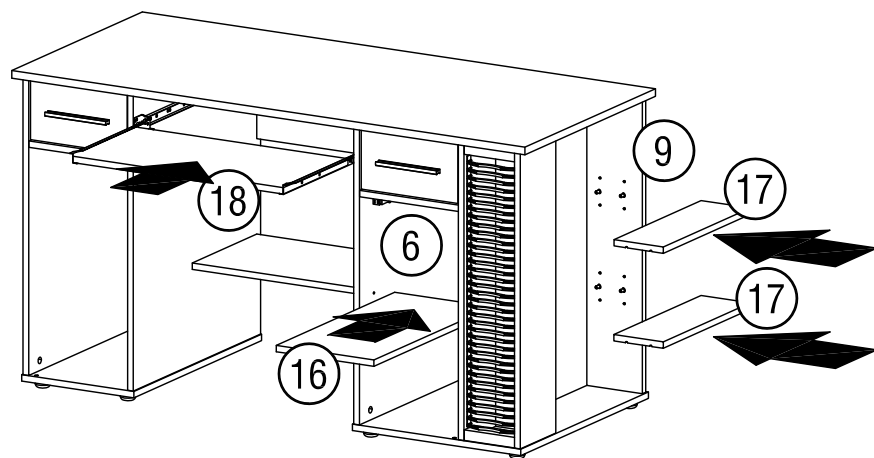
STEP 3



Step 26



Step 27



Step 28

